

Multi-Deck Retro Fit Questionnaire

Date: _____

Store Name _____ Store # _____
 Address _____
 City _____ State _____ Zip _____

Make of Equipment _____

Model of Equipment _____

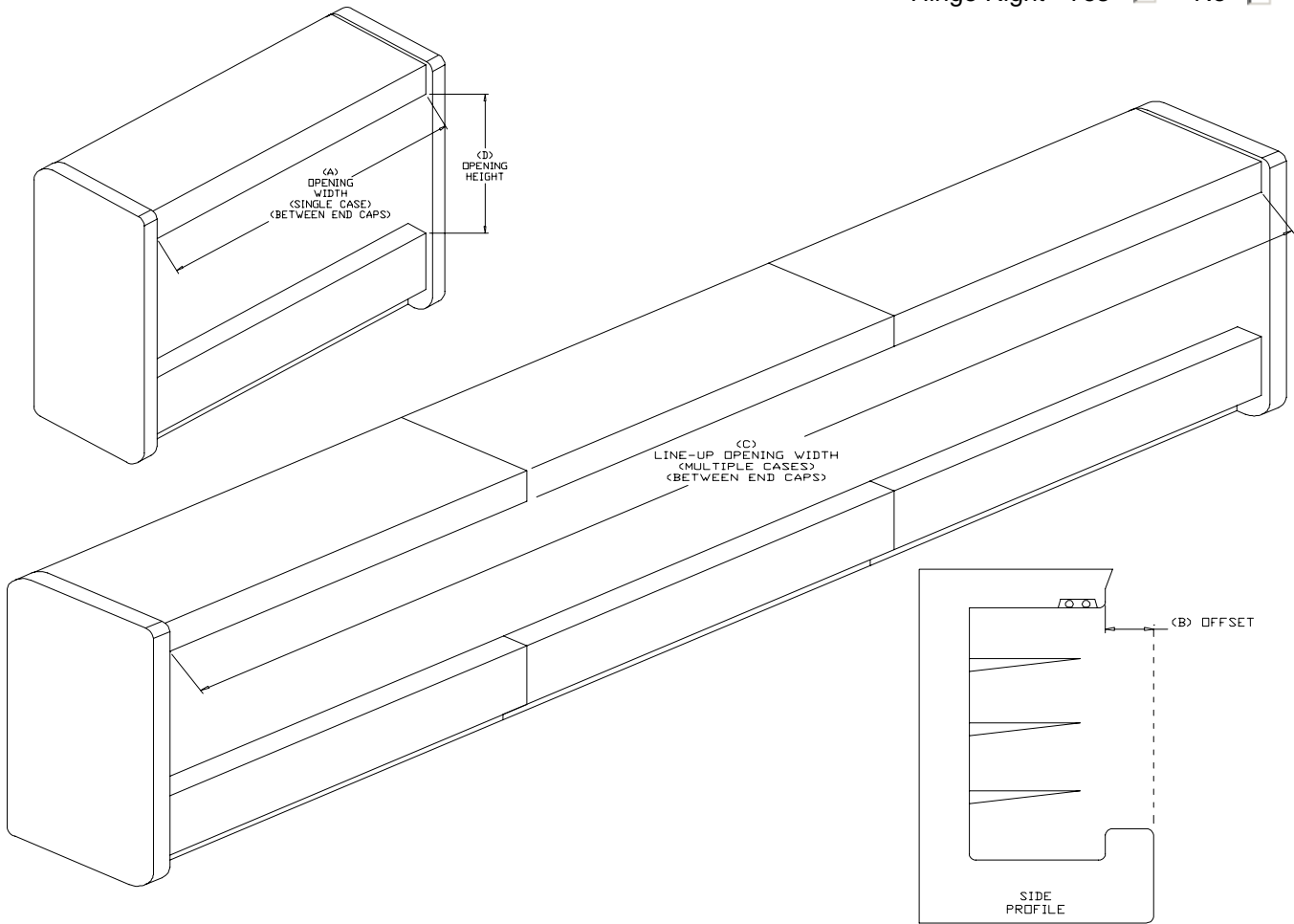
Cooler Freezer Finish _____

Opening Width (A) _____ Offset (B) _____

Line up opening width(C) _____ Symetictical Yes No

Line up opening Height (D) _____ Hinge Left Yes No

Hinge Right Yes No



SCHOTT Gemtron - 2840 Nebo Road - Madisonville, KY 42431 - gemtrondoors.com - 800-326-2727
sales@gemtrondoors.com