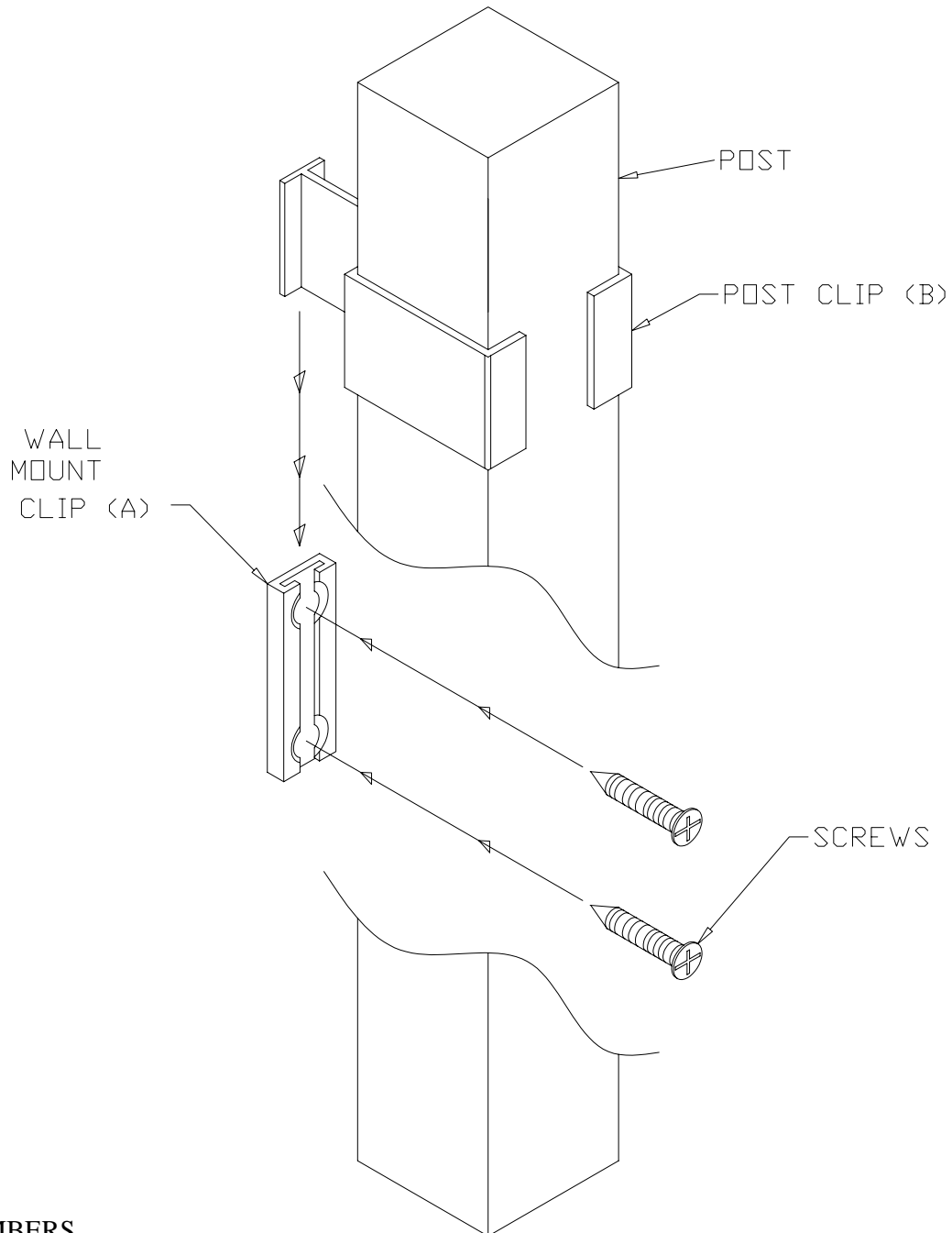


Wall Mount Kit Installation

1. Mount the wall mount clips(A) to the wall using appropriate fasteners.
2. Slide the post clips(B) into the wall mount clips to secure the post.



PART NUMBERS

(A) – 44GEMT-1-1

(B) – FULL POST # 44GEMT-2-1

HALF POST # 44GEMT-20-1